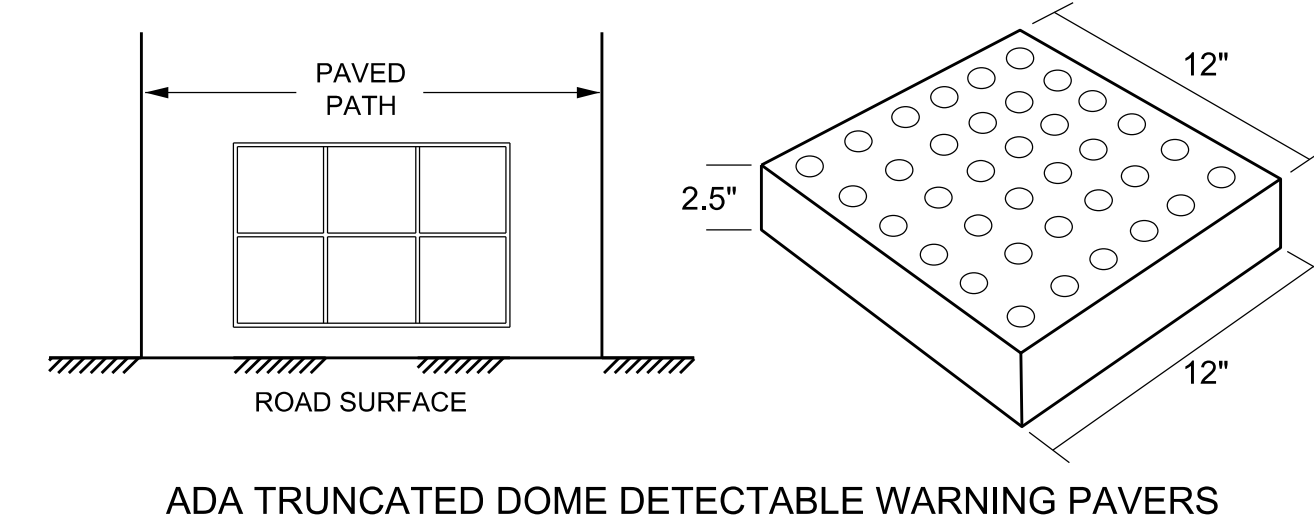
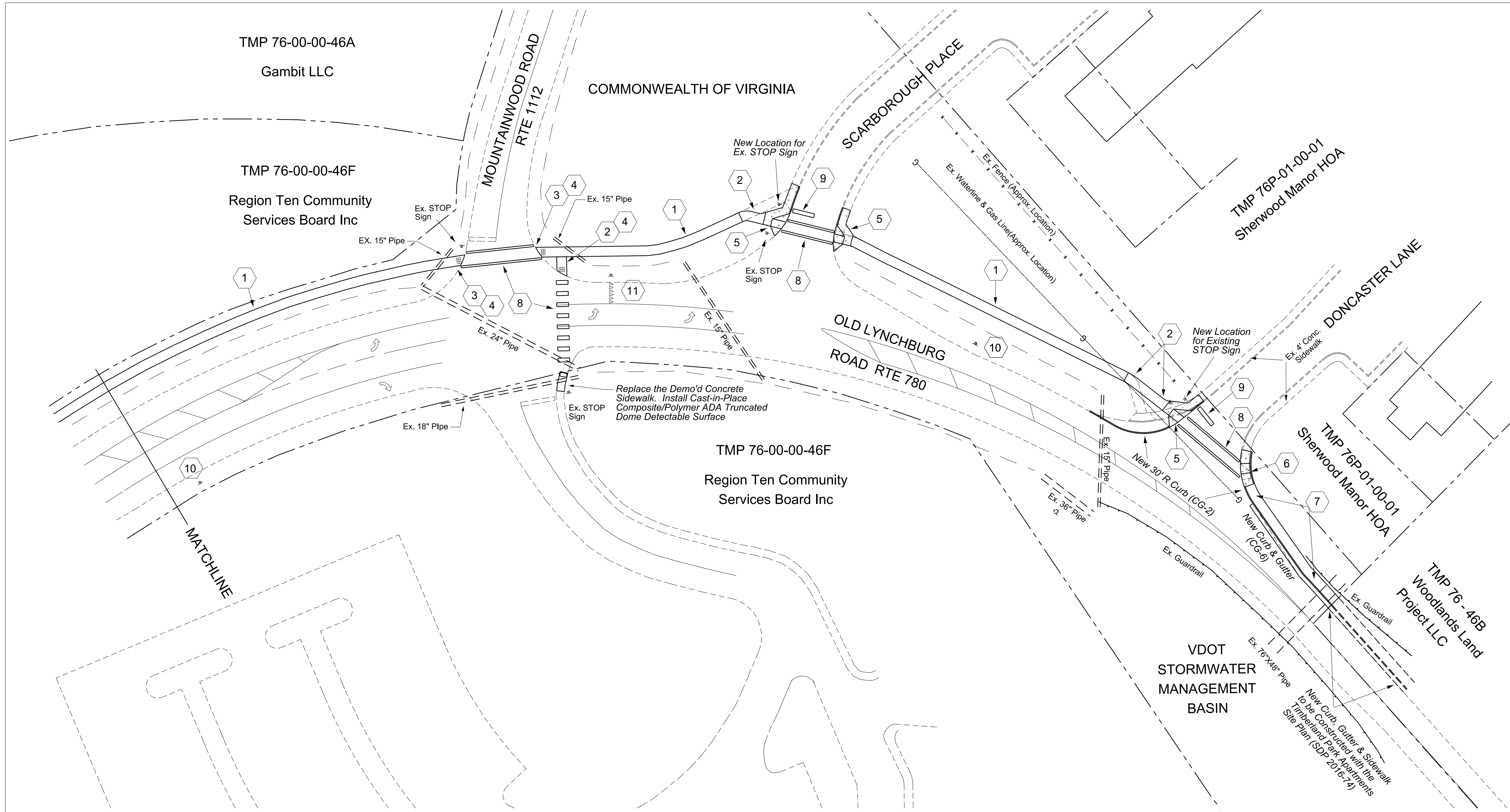


- 1 APPLY TACK COAT AND 2" ASPHALT (SM-9.5A) OVERLAY TO THE EXISTING 5' WIDE PAVED PATH
- 2 NEW 5' WIDE ASPHALT PATH WITH 6" BASE AGGREGATE (#21-A) AND 2" ASPHALT (SM-9.5A)
- 3 AT THE STREET INTERSECTIONS, MILL THE PAVED PATH SO THAT THE SURFACE OF THE NEW ASPHALT OVERLAY MATCHES THE STREET.
- 4 NEW TRUNCATED DOME DETECTABLE PAVERS AS SHOWN IN THE DETAIL.
- 5 NEW ADA RAMP (CG-12 TYPE A), CONCRETE CURB (CG-2) AND VARIABLE WIDTH CONCRETE SIDEWALK. SIDEWALK SHALL BE 4" THICK WITH AT LEAST 6" BASE AGGREGATE (#21-A).
- 6 NEW ADA RAMP (CG-12 TYPE B), NEW CONCRETE CURB (CG-2) AND 5' WIDE CONCRETE SIDEWALK. SIDEWALK SHALL BE 4" THICK WITH AT LEAST 6" BASE AGGREGATE (#21-A).

- 7 NEW 5' WIDE CONCRETE SIDEWALK. SIDEWALK SHALL BE 4" THICK WITH AT LEAST 6" BASE AGGREGATE (#21-A).
- 8 NEW PAINTED STANDARD CROSSWALK CONSISTING OF 2 - 8" WIDE LINES SPACED AT LEAST 6' APART. LINES SHALL BE WHITE "TYPE A" PAINT. WHERE HIGH VISIBILITY CROSSWALK IS SHOWN THE BARS SHALL BE 2" WIDE BY 6" LONG. BARS ARE SHOWN SPACED APPROX. 3'-8" APART BUT MAY BE FIELD ADJUSTED AS NEEDED TO AVOID THE WHEEL PATHS. BARS SHALL BE WHITE "TYPE" A PAINT.
- 9 NEW STOP BAR TO BE 24" WIDE AND WHITE THERMOPLASTIC "TYPE B - CLASS I".
- 10 PROVIDE A NEW "PEDESTRIAN CROSSING" (W11-2) POST MOUNTED SIGN WITH AN "AHEAD" SIGN (W16-9P) MOUNTED BELOW. SIGNS SHALL BE FLUORESCENT YELLOW-GREEN.
- 11 PROVIDE A NEW "YIELD HERE TO PEDESTRIANS" (R1-5) POST MOUNTED SIGN ADJACENT TO A NEW "YIELD LINE" (TYPE A PAINT). REFER TO THE DETAILS.

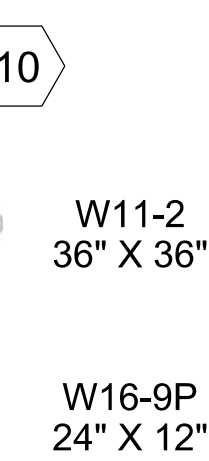
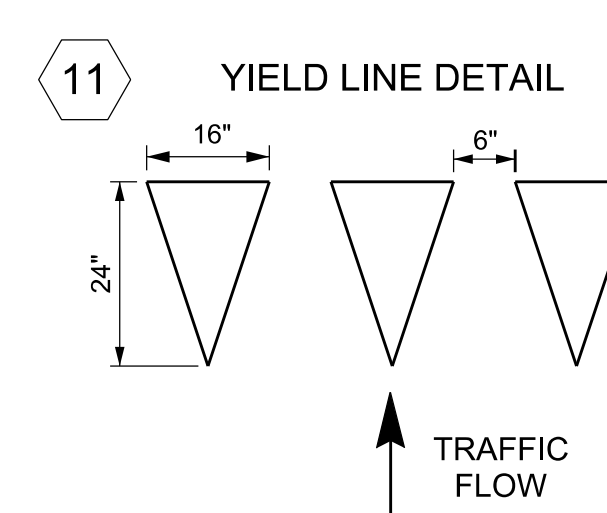


<p>UPC-106423 "NO PLANS" PROJECT FOR: OLD LYNCHBURG ROAD (RTE 780) PEDESTRIAN PATH REPAVING AND PEDESTRIAN SAFETY IMPROVEMENTS</p>	<p>ALBEMARLE COUNTY VIRGINIA</p>
<p>SCALE: 1" = 25'</p> <p>DESIGNED BY: JMK DRAWN BY: JMK CHECKED BY:</p>	<p>County of Albemarle Office of Facilities Development 401 MONROE ROAD, ROOM 222 CHARLOTTESVILLE, VA 22902-4596 PHONE: (434) 872-4501 FAX: (434) 972-4091</p>
<p>SKETCH PLAN OF IMPROVEMENTS</p>	
<p>DATE: 17 MARCH 2017 PROJECT NO.: UPC 106423 SHEET NUMBER</p>	
<p>1 of 4</p>	

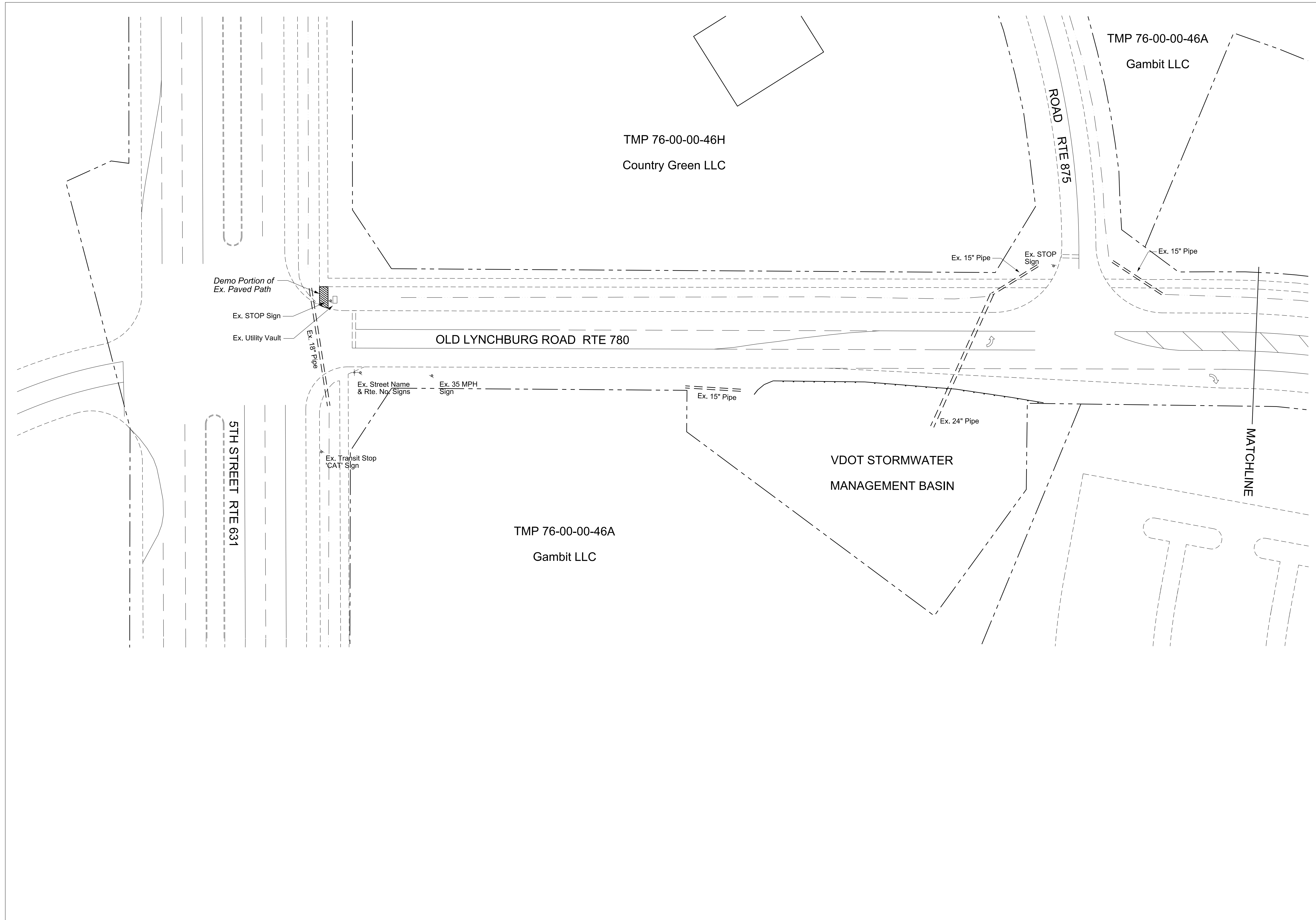


- 1 APPLY TACK COAT AND 2" ASPHALT (SM-9.5A) OVERLAY TO THE EXISTING 5' WIDE PAVED PATH
- 2 NEW 5' WIDE ASPHALT PATH WITH 6" BASE AGGREGATE (#21-A) AND 2" ASPHALT (SM-9.5A)
- 3 AT THE STREET INTERSECTIONS, MILL THE PAVED PATH SO THAT THE SURFACE OF THE NEW ASPHALT OVERLAY MATCHES THE STREET.
- 4 NEW TRUNCATED DOME DETECTABLE PAVERS AS SHOWN IN THE DETAIL.
- 5 NEW ADA RAMP (CG-12 TYPE A), CONCRETE CURB (CG-2) AND VARIABLE WIDTH CONCRETE SIDEWALK. SIDEWALK SHALL BE 4" THICK WITH AT LEAST 6" BASE AGGREGATE (#21-A).
- 6 NEW ADA RAMP (CG-12 TYPE B), NEW CONCRETE CURB (CG-2) AND 5' WIDE CONCRETE SIDEWALK. SIDEWALK SHALL BE 4" THICK WITH AT LEAST 6" BASE AGGREGATE (#21-A).

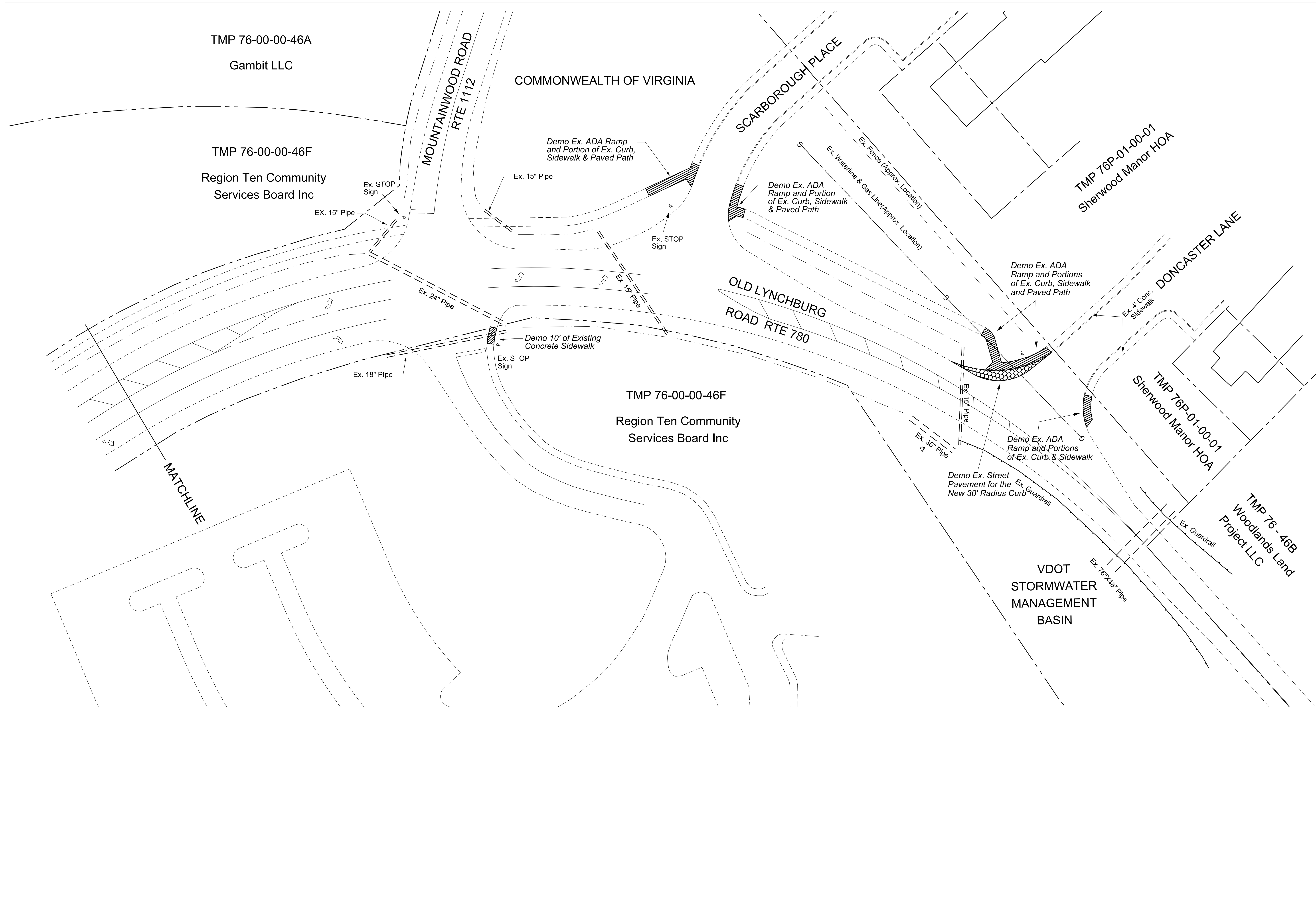
- 7 NEW 5' WIDE CONCRETE SIDEWALK. SIDEWALK SHALL BE 4" THICK WITH AT LEAST 6" BASE AGGREGATE (#21-A).
- 8 NEW PAINTED STANDARD CROSSWALK CONSISTING OF 2 - 8" WIDE LINES SPACED AT LEAST 6' APART. LINES SHALL BE WHITE "TYPE A" PAINT. WHERE HIGH VISIBILITY CROSSWALK IS SHOWN THE BARS SHALL BE 2" WIDE BY 6" LONG. BARS ARE SHOWN SPACED APPROX. 3'-8" APART BUT MAY BE FIELD ADJUSTED AS NEEDED TO AVOID THE WHEEL PATHS. BARS SHALL BE WHITE "TYPE" A PAINT.
- 9 NEW STOP BAR TO BE 24" WIDE AND WHITE THERMOPLASTIC "TYPE B - CLASS I".
- 10 PROVIDE A NEW "PEDESTRIAN CROSSING" (W11-2) POST MOUNTED SIGN WITH AN "AHEAD" SIGN (W16-9P) MOUNTED BELOW. SIGNS SHALL BE FLUORESCENT YELLOW-GREEN.
- 11 PROVIDE A NEW "YIELD HERE TO PEDESTRIANS" (R1-5) POST MOUNTED SIGN ADJACENT TO A NEW "YIELD LINE" (TYPE A PAINT). REFER TO THE DETAILS.



UPC-106423 "NO PLANS" PROJECT FOR: OLD LYNCHBURG ROAD (RTE 780) PEDESTRIAN PATH REPAVING AND PEDESTRIAN SAFETY IMPROVEMENTS		ALBEMARLE COUNTY		VIRGINIA	
DATE 17 MARCH 2017		PROJECT NO. UPC 106423		SHEET NUMBER	
SCALE 1" = 25'		DESIGNED BY JMK	DRAWN BY JMK	CHECKED BY	
		County of Albemarle Office of Facilities Development 401 MONROE ROAD, ROOM 222 CHARLOTTESVILLE, VA 22902-4966 PHONE: (434) 872-4501 FAX: (434) 972-4091		REVISIONS No. _____ DATE _____ BY _____	
SKETCH PLAN OF IMPROVEMENTS					
2 of 4					

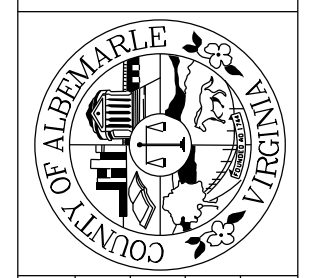


UPC-106423 "NO PLANS" PROJECT FOR: OLD LYNCHBURG ROAD (RTE. 780) PEDESTRIAN PATH REPAVING AND PEDESTRIAN SAFETY IMPROVEMENTS		ALBEMARLE COUNTY	VIRGINIA
DATE 17 MARCH 2017	PROJECT NO. UPC 106423	SHEET NUMBER 3 of 4	
SKETCH PLAN FOR DEMOLITION			
SCALE 1" = 25'	DESIGNED BY JMK	COUNTY OF ALBEMARLE	
	DRAWN BY JMK		
	CHECKED BY		
County of Albemarle Office of Facilities Development 401 MONROE ROAD, ROOM 222 CHARLOTTESVILLE, VA 22902-4596 PHONE: (434) 872-4501 FAX: (434) 972-4091		No.	REVISIONS
			DATE
			BY



No.	REVISIONS	DATE	BY

County of Albemarle
 Office of Facilities Development
 401 MONROE ROAD, ROOM 222
 CHARLOTTESVILLE, VA 22802-4596
 PHONE: (434) 872-4501 FAX: (434) 972-4091



SCALE: 1" = 25'
 DESIGNED BY: JMK
 DRAWN BY: JMK
 CHECKED BY:

SKETCH PLAN FOR DEMOLITION

UPC-106423 "NO PLANS" PROJECT FOR:
 OLD LYNCHBURG ROAD (RTE 780) PEDESTRIAN PATH
 REPAVING AND PEDESTRIAN SAFETY IMPROVEMENTS
 ALBEMARLE COUNTY VIRGINIA

DATE: 17 MARCH 2017
 PROJECT NO.: UPC 106423
 SHEET NUMBER: