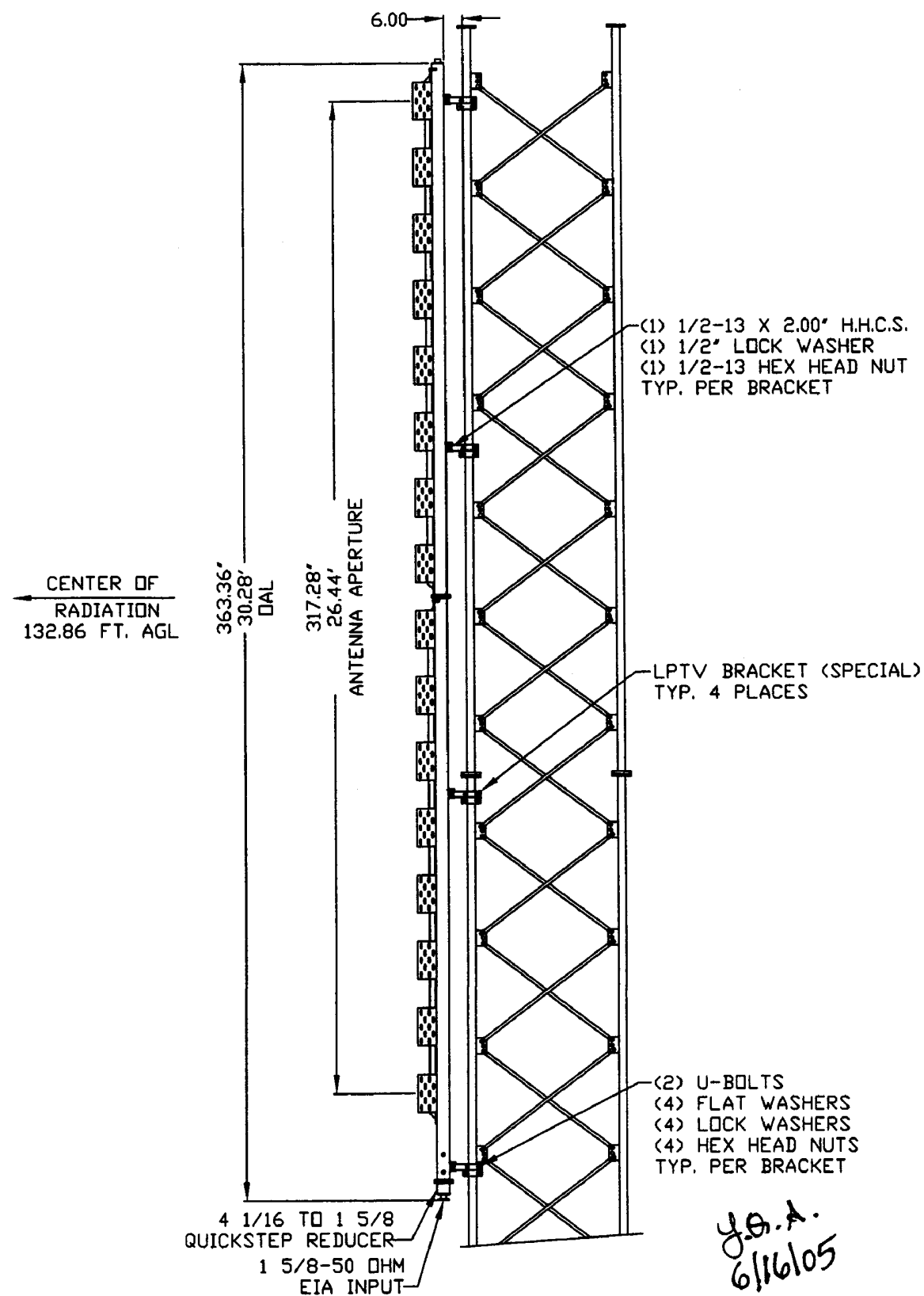


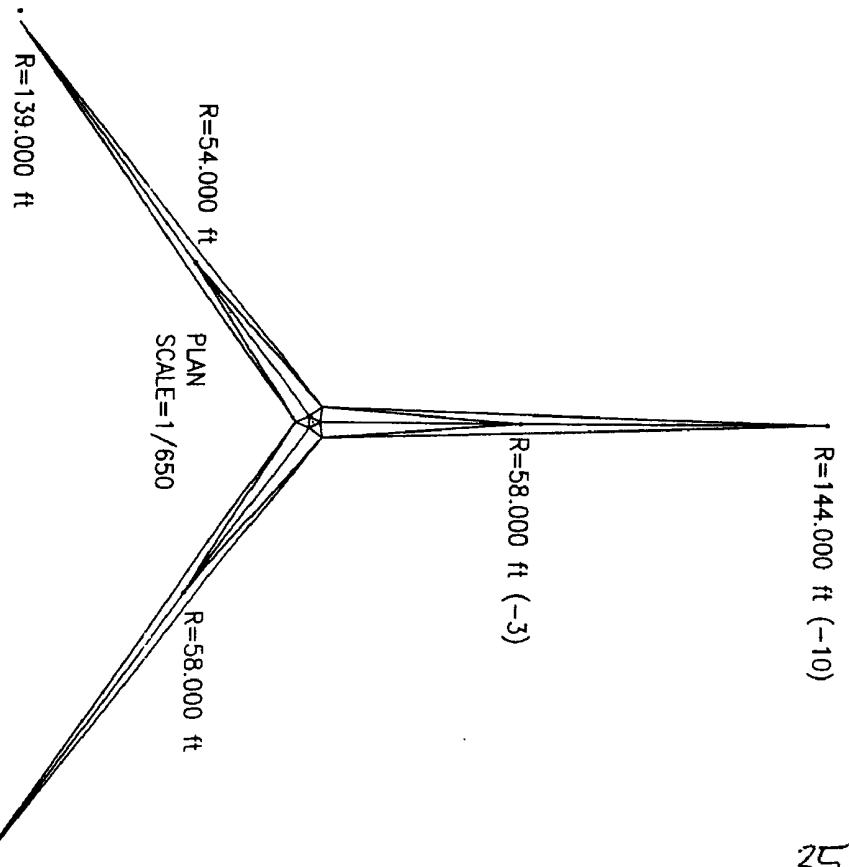
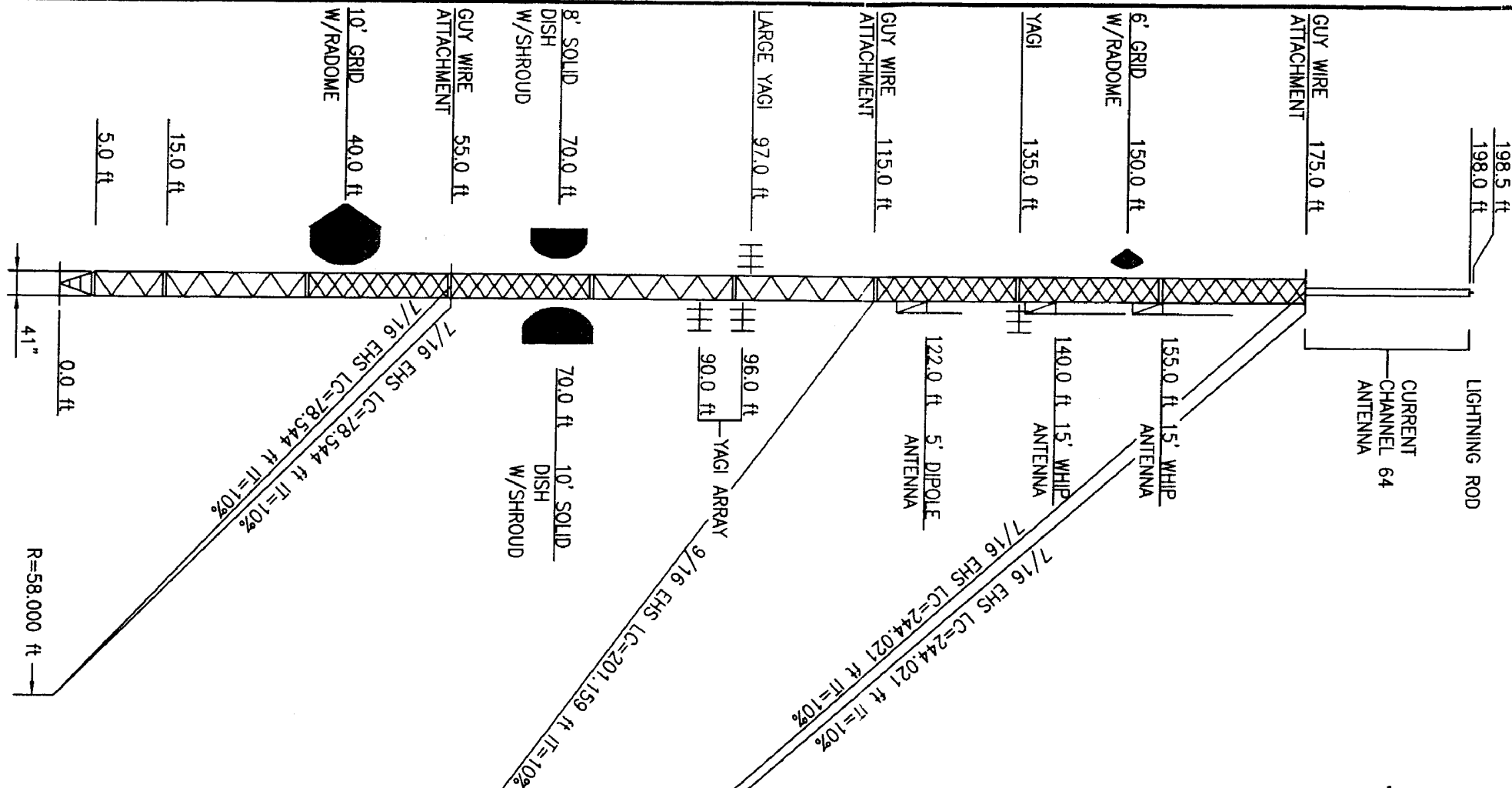
YQA
6/16/05

	SYSTEMS WITH RELIABILITY, INC. 619 INDUSTRIAL PARK ROAD EBENSBURG, PENNSYLVANIA 15031	TITLE: PROPOSED STRUCTURE CHARLOTTESVILLE, VA	SIZE: REV. APPR. DATE C 1 2 3	ENGINEER:	DRAWING NUMBER: 0446D00	
	MATERIAL:	SCALE: NTS NAME: RAC DATE: 3/30/05 SHEET: 1 OF 1				

PRELIMINARY DRAWING



SYSTEMS WITH RELIABILITY, INC. 819 INDUSTRIAL PARK ROAD EBENSBURG, PENNSYLVANIA 15831	TITLE: SWLP16NCS/27, CH. 27	SIZE: C	REVISION: 1	DATE: 3/30/05	ENGINEER: NTS	DRAWING NUMBER: 0446D01
	TITLE: WADA, CHARLOTTESVILLE, VA	SCALE: 1/2"	DATE: 3/30/05	NAME: RAC	DATE: 3/30/05	SHEET: 1 OF 1



DESIGNED APPURTENANCE LOADING

GRAY TV EQUIPMENT	ELEVATION	LINE
INDEX PLATE	175'	---
CURRENT CHANNEL 64 ANTENNA	198'-175'	---
6' DISH W/RADOME	150'	EW64

TENANT EQUIPMENT	ELEVATION	LINE
15' WHIP ANTENNA	155'	1-1/4" COAX
15' WHIP ANTENNA	140'	7/8" COAX
YAGI	135'	1/2" COAX
5' DIPOLE	122'	1/2" COAX
LARGE YAGI	97'	5/16" COAX
YAGI ARRAY	96'-90'	5/16" COAX
10' SOLID DISH W/SHROUD	70'	EW90
8' SOLID DISH W/SHROUD	70'	EW52
10' GRID W/RADOME	40'	EW90

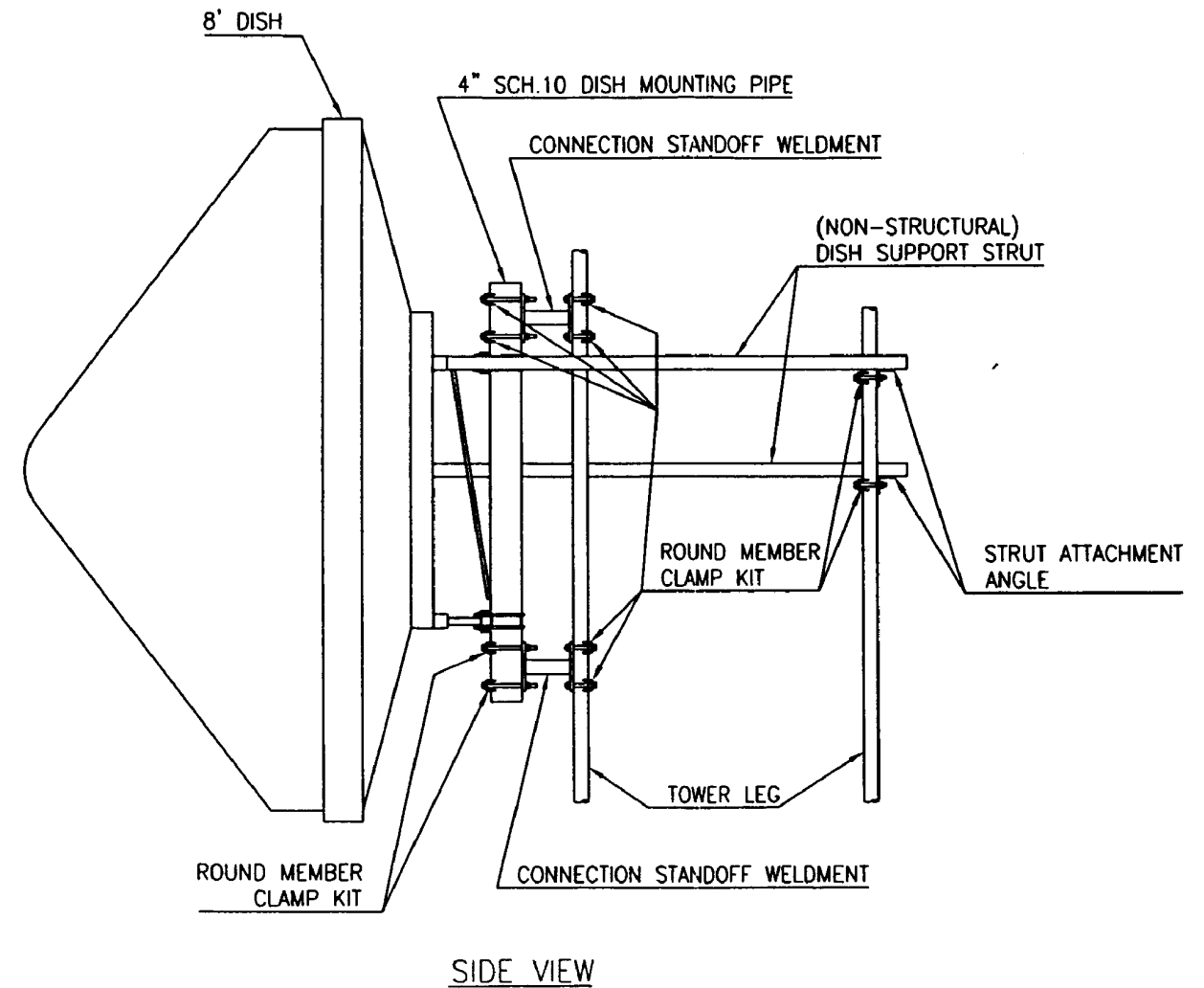
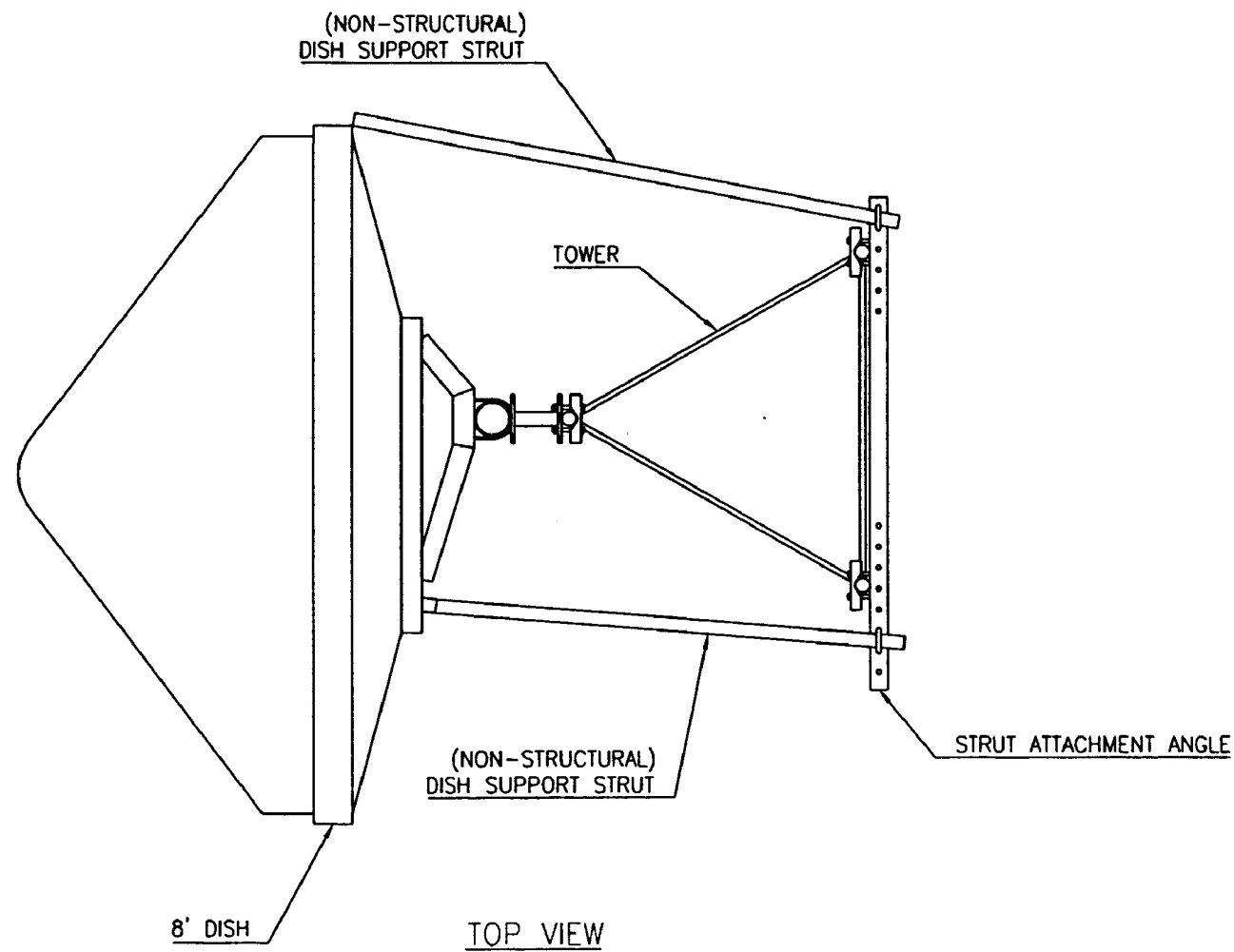
EXISTING EQUIPMENT NOT BEING RE-INSTALLED

See 5/5/04

MAR 30 2004

ERI
 ELECTRONICS RESEARCH, INC.
 Established 1948
 7777 GARDNER RD.
 CHANDLER, IN 47610-9637
 PHONE: (812) 925-6000
 FAX: (812) 925-4026


NAME: EXISTING STRUCTURE
 FOR CHARLOTTSVILLE IN (CARROLL COUNTY) ALABAMA COUNTY
 DATE: 03/26/04
 CLIENT: WSHV
 EXISTING

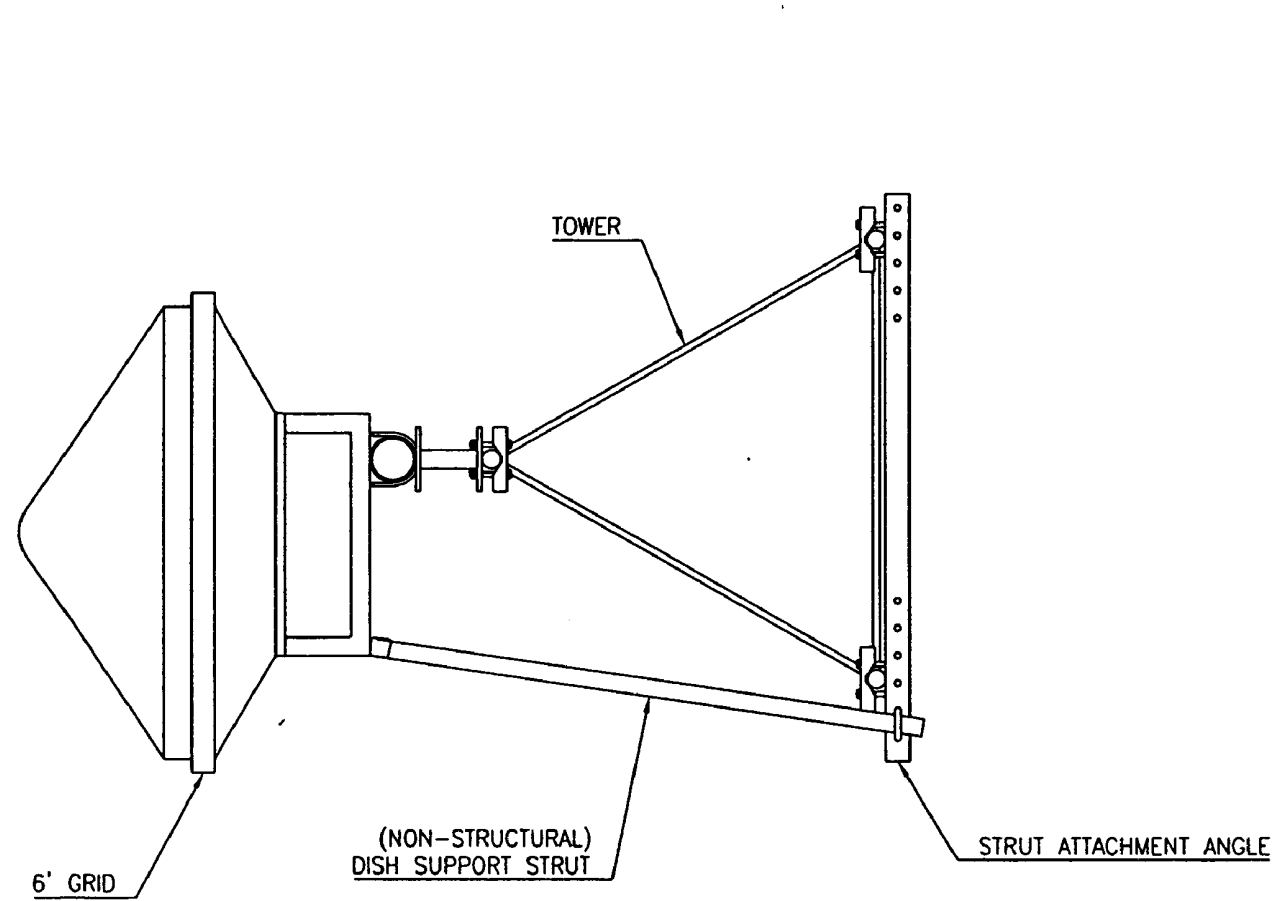


NOTES:

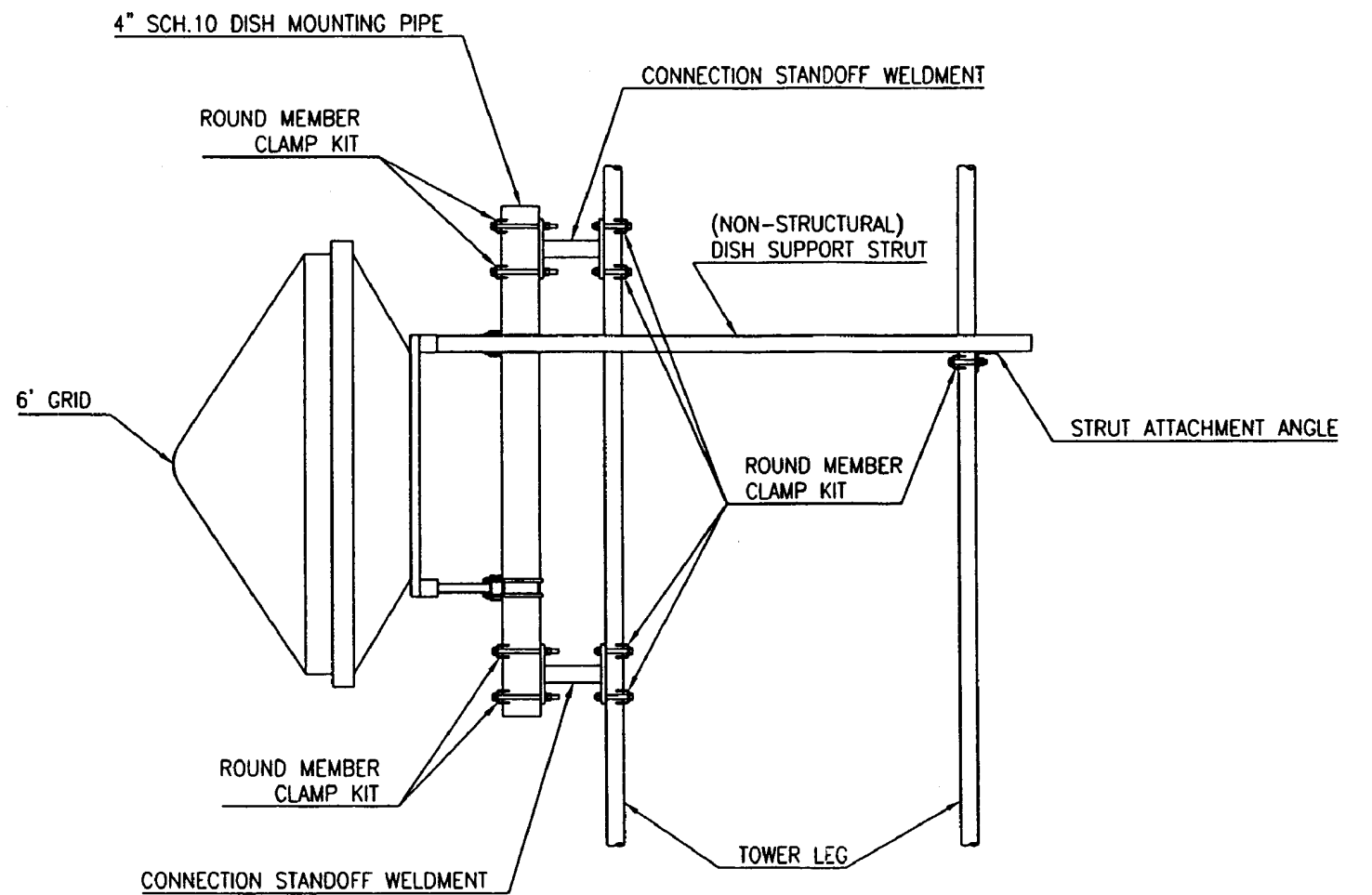
- 1) 8' SOLID DISH IS LOCATED AT THE 40' ELEVATION.
- 2) REFERENCE DRAWING DMA450F FOR STANDOFF CONNECTION ASSEMBLY.
- 3) REFERENCE DRAWING HRK0003 FOR ROUND MEMBER CONNECTION ASSEMBLY.

See 515/04

 ELECTRONICS RESEARCH, INC. Established 1943 7777 GARDNER RD. CHANDLER, IN 47610-9637 PHONE: (812) 925-6000 FAX: (812) 925-4026		This document/drawing contains information considered confidential by Electronics Research, Inc. ("ERI"). This information is disclosed on a confidential basis and only authorized for use in the installation, operation, and maintenance of ERI tower and antenna equipment, as appropriate. Reproduction, transmission or disclosure to others, or unauthorized use, without the express written consent of ERI, is strictly prohibited. UNAUTHORIZED DUPLICATION, REPRODUCTION, OR DISCLOSURE OF THIS INFORMATION IS A VIOLATION OF FEDERAL LAW. ©COPYRIGHT 2004 ERI, ELECTRONICS RESEARCH INC.		NAME 8' SOLID DISH MOUNTING ASSEMBLY FOR CHARLOTTESVILLE, VA.	
				PATH G:\DRAFTING\ALL\PROJECTS\11380 FACTOR 1/25 DRAWN SDA NAME Q-1A DATE 03/12/04 ENG APP'D DRAWING NO. Q-1A MAT'L AS NOTED DWG APP'D	
6		NO	REVISION	APP'D	DATE
5					
4					
3					
2					
1					



TOP VIEW



SIDE VIEW

NOTES:

- 1) 6' GRID W/RADOME-EW64 ARE LOCATED AT ELEVATIONS 90' & 110'.
- 2) REFERENCE DRAWING DMA450F FOR STANDOFF CONNECTION ASSEMBLY.
- 3) REFERENCE DRAWING HRK0003 FOR ROUND MEMBER CONNECTION ASSEMBLY.

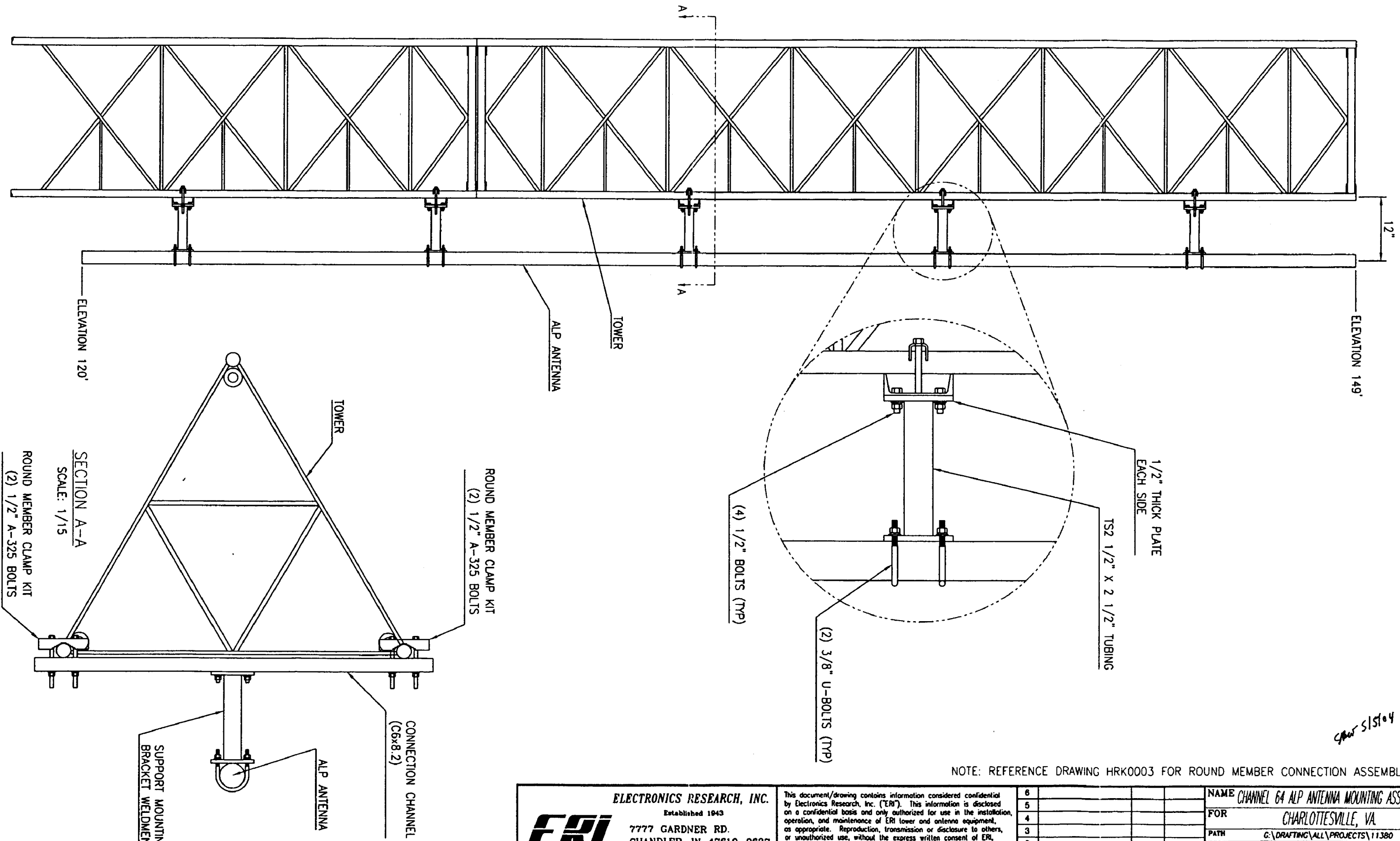
5/15/04

ELECTRONICS RESEARCH, INC.
 Established 1943
ERI
 7777 GARDNER RD.
 CHANDLER, IN 47610-9637
 PHONE: (812) 925-6000
 FAX: (812) 925-4026

This document/drawing contains information considered confidential by Electronics Research, Inc. ("ERI"). This information is disclosed on a confidential basis and only authorized for use in the installation, operation, and maintenance of ERI tower and antenna equipment, as appropriate. Reproduction, transmission or disclosure to others, or unauthorized use, without the express written consent of ERI, is strictly prohibited. UNAUTHORIZED DUPLICATION, REPRODUCTION, OR DISCLOSURE OF THIS INFORMATION IS A VIOLATION OF FEDERAL LAW.

© COPYRIGHT 2004 ERI, ELECTRONICS RESEARCH INC.

8				NAME	6' GRID MOUNTING ASSEMBLY
5				FOR	CHARLOTTESVILLE, VA.
4				PATH	G:\DRAFTING\ALL\PROJECTS\11380
3				FACTOR	1/20
2				DATE	03/11/04
1				MAT'L	AS NOTED
NO	REVISION	APP'D	DATE	NAME	0-2
				DRAWING NO.	Q-2



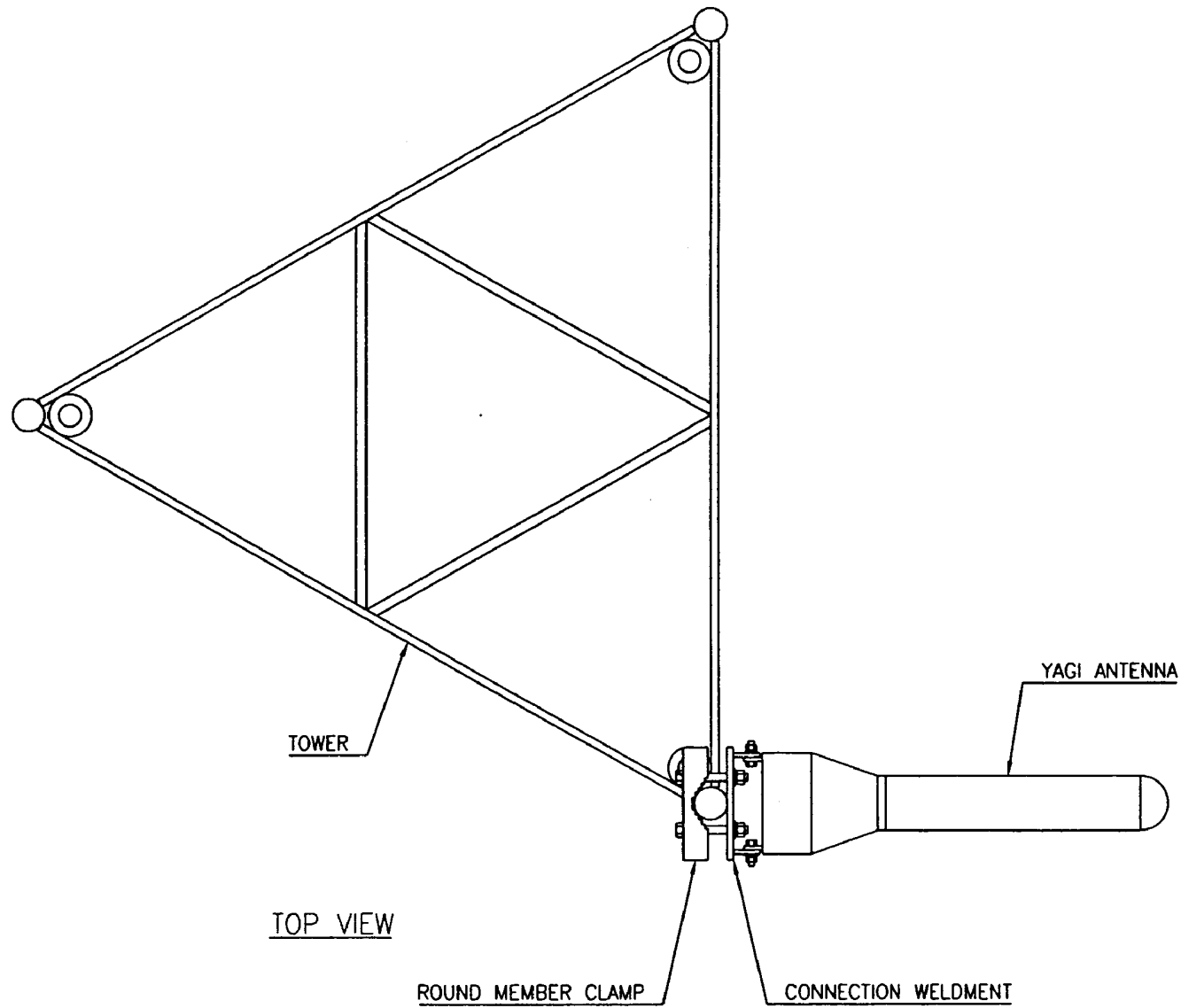
NOTE: REFERENCE DRAWING HRK0003 FOR ROUND MEMBER CONNECTION ASSEMBLY.

5/15/04

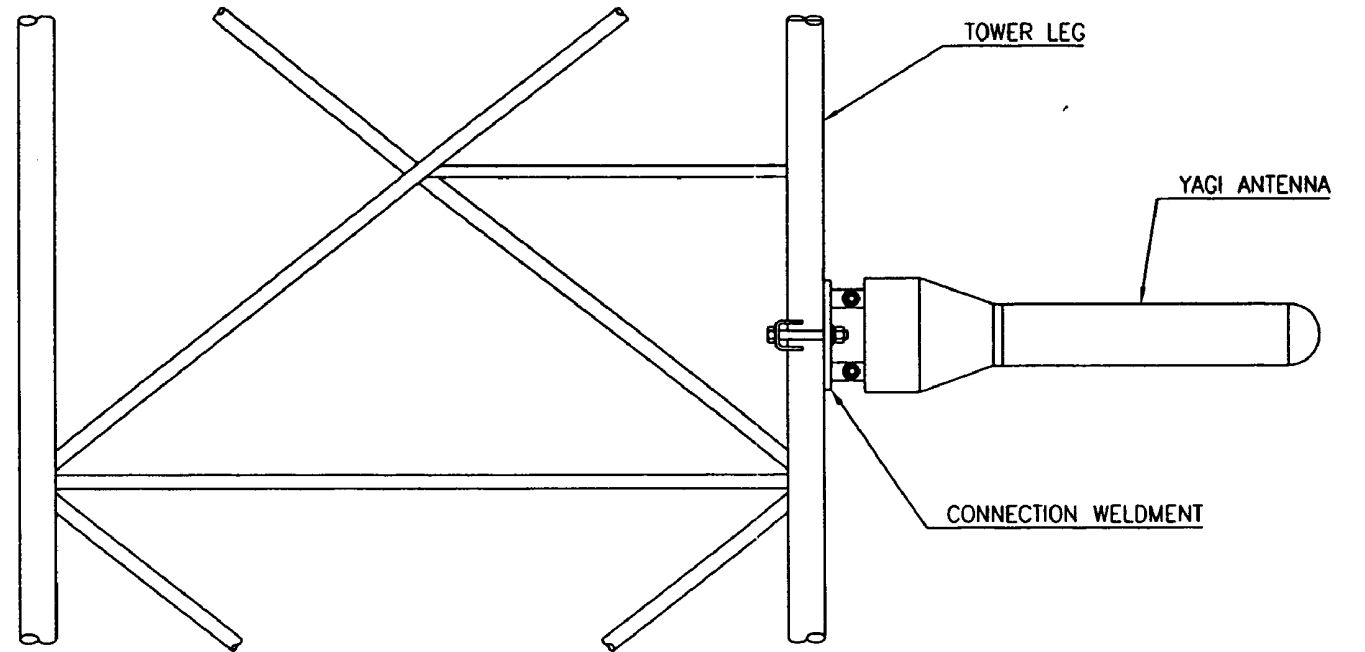
ELECTRONICS RESEARCH, INC.
 Established 1943
ERI
 7777 GARDNER RD.
 CHANDLER, IN 47610-9637
 PHONE: (812) 925-6000
 FAX: (812) 925-4026

This document/drawing contains information considered confidential by Electronics Research, Inc. ("ERI"). This information is disclosed on a confidential basis and only authorized for use in the installation, operation, and maintenance of ERI tower and antenna equipment, as appropriate. Reproduction, transmission or disclosure to others, or unauthorized use, without the express written consent of ERI, is strictly prohibited. UNAUTHORIZED DUPLICATION, REPRODUCTION, OR DISCLOSURE OF THIS INFORMATION IS A VIOLATION OF FEDERAL LAW.
 © COPYRIGHT 2004 ERI, ELECTRONICS RESEARCH INC.

6						NAME	CHANNEL 64 ALP ANTENNA MOUNTING ASSEMBLY	
5						FOR	CHARLOTTESVILLE, VA	
4						PATH	G:\DRAWING\ALL\PROJECTS\11380	
3						FACTOR	1/25	DRAWN DWE
2						DATE	03/11/04	ENG APP'D
1						MAT'L	AS NOTED	DWG APP'D
NO	REVISION	APP'D	DATE			NAME	Q-4	
						DRAWING NO.	Q-4	



TOP VIEW




SIDE VIEW

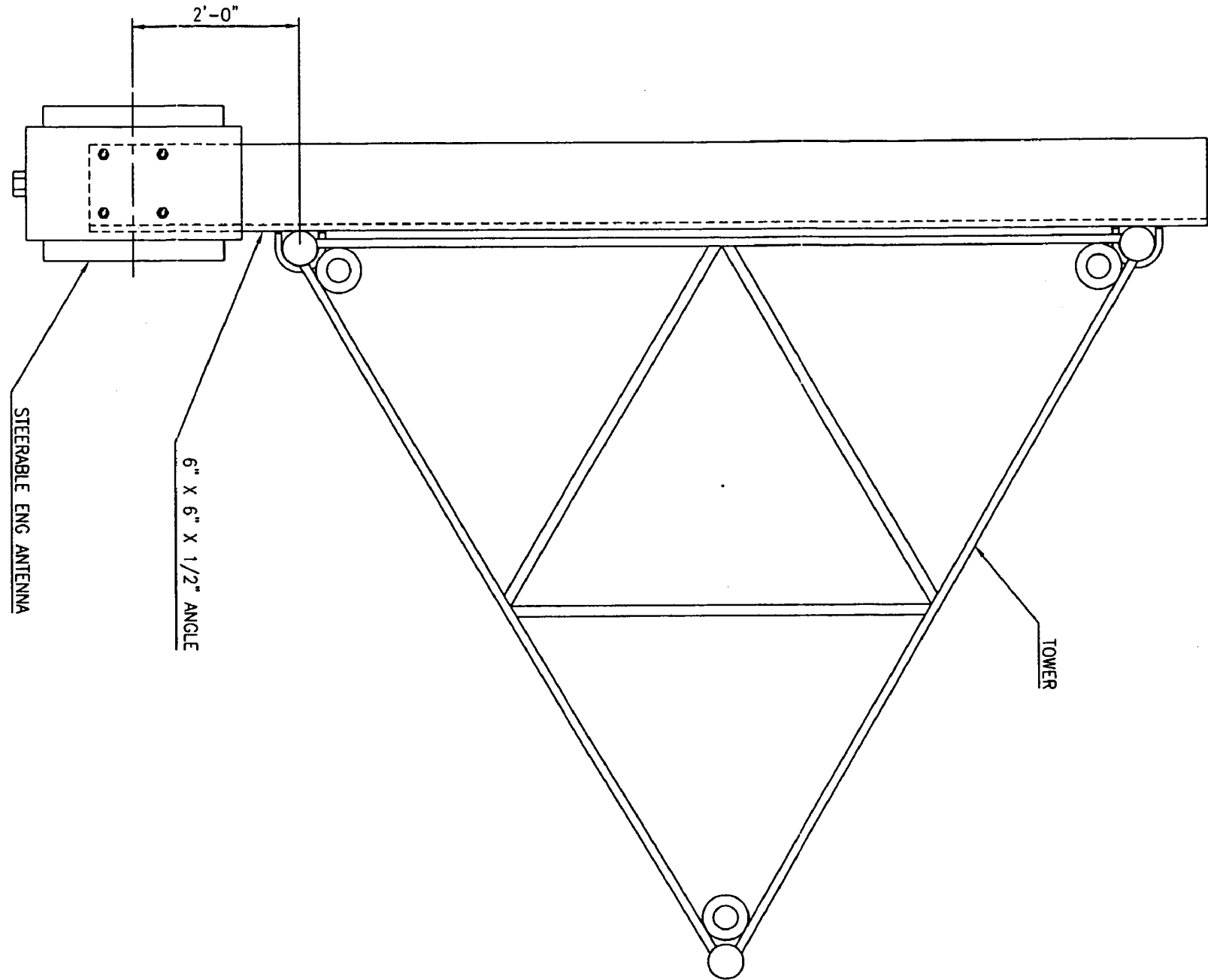
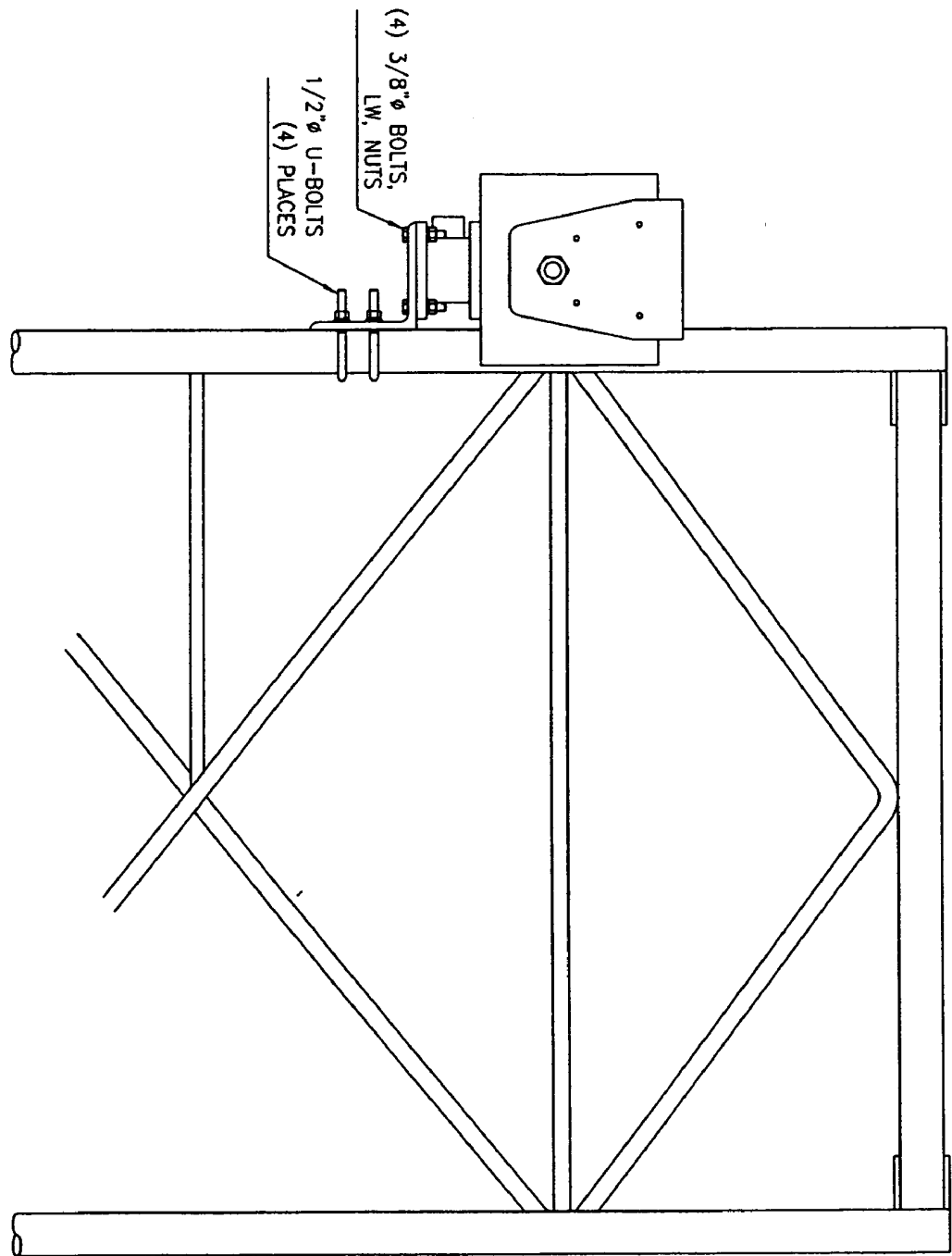
NOTES:

- 1) (4) YAGI ANTENNAS ARRAY ARE LOCATED AT ELEVATION 90°.
- 2) REFERENCE DRAWING HRK0003 FOR ROUND MEMBER CONNECTION ASSEMBLY.

for 5/15/04


 ELECTRONICS RESEARCH, INC. Established 1943 7777 GARDNER RD. CHANDLER, IN 47810-9637 PHONE: (812) 925-6000 FAX: (812) 925-4026	This document/drawing contains information considered confidential by Electronics Research, Inc. ("ERI"). This information is disclosed on a confidential basis and only authorized for use in the installation, operation, and maintenance of ERI tower and antenna equipment, as appropriate. Reproduction, transmission or disclosure to others, or unauthorized use, without the express written consent of ERI, is strictly prohibited. UNAUTHORIZED DUPLICATION, REPRODUCTION, OR DISCLOSURE OF THIS INFORMATION IS A VIOLATION OF FEDERAL LAW.			NAME YAGI ANTENNA MOUNTING ASSEMBLY FOR CHARLOTTESVILLE, VA PATH G:\DRAFTING\ALL\PROJECTS\11380 FACTOR 1/10 DRAWN DWE NAME Q-5 DATE 03/11/04 ERI APP'D MAT'L AS NOTED DWE APP'D	
	6				
	5				
	4				
	3				
	2				
1					
NO	REVISION	APP'D	DATE		

41

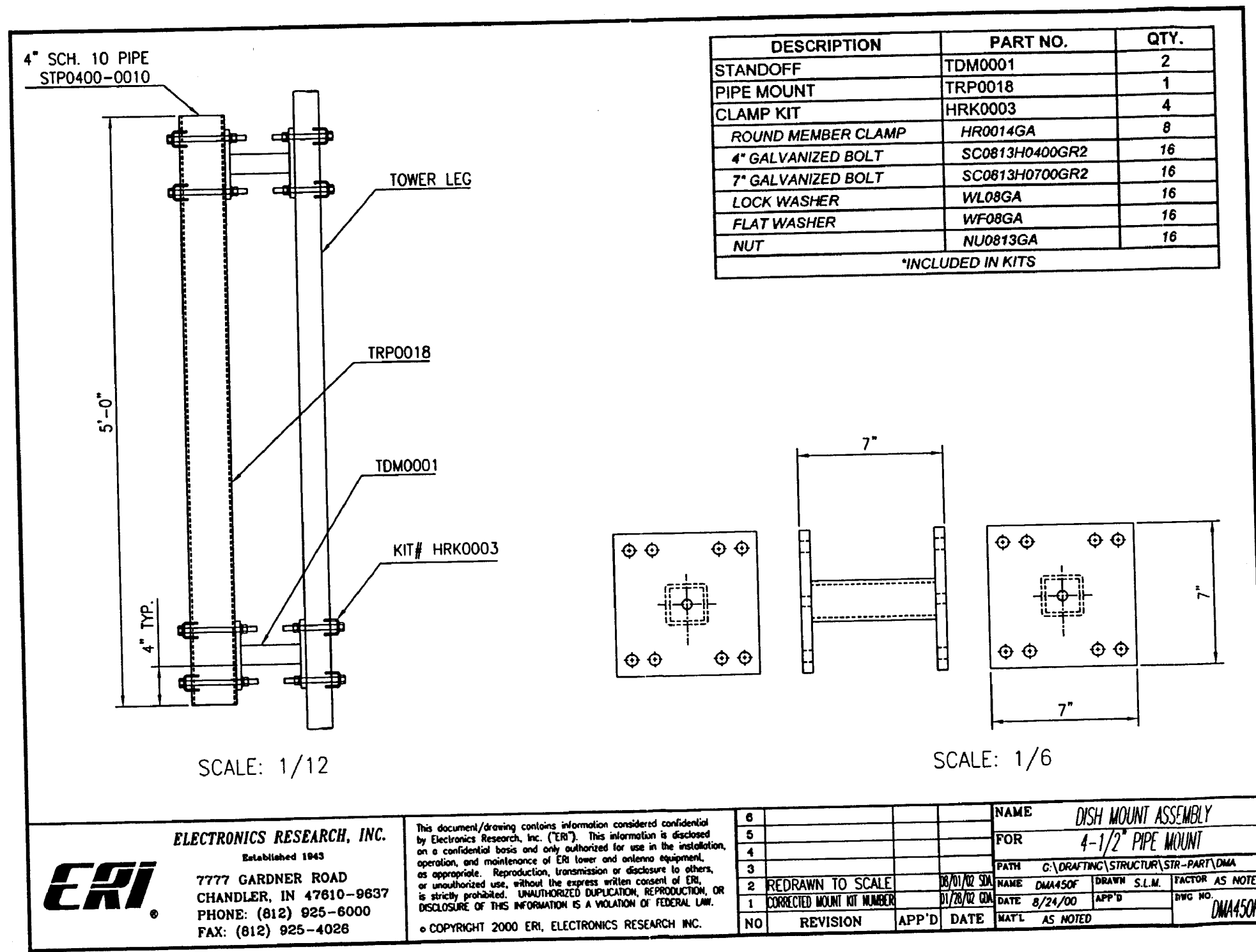


SW 5/15/04

NOTE: STEERABLE ENG ANTENNA IS LOCATED AT 100' ELEVATION.

 <p>ELECTRONICS RESEARCH, INC. Established 1943 7777 GARDNER RD. CHANDLER, IN 47610-9637 PHONE: (812) 925-8000 FAX: (812) 925-4028</p>	This document/drawing contains information considered confidential by Electronics Research, Inc. ("ERI"). This information is disclosed on a confidential basis and only authorized for use in the installation, operation, and maintenance of ERI tower and antenna equipment, as appropriate. Reproduction, transmission or disclosure to others, or unauthorized use, without the express written consent of ERI, is strictly prohibited. UNAUTHORIZED DUPLICATION, REPRODUCTION, OR DISCLOSURE OF THIS INFORMATION IS A VIOLATION OF FEDERAL LAW. ©COPYRIGHT 2004 ERI, ELECTRONICS RESEARCH INC.				6				NAME	4' GRID STEERABLE ENG ANTENNA MOUNT ASSEMBLY	
	5				FOR	CHARLOTTESVILLE, VA					
	4				PATH	G:\DRAFTING\ALL\PROJECTS\11380					
	3				FACTOR	1/25	DRAWN	G.D.A.	NAME	O-6	
	2				DATE	03/12/04	ENG APP'D		DRAWING NO.	Q-6	
	1	CORRECTED ELEVATION FROM 90' TO 100'		03/29/04	GDA		DWG APP'D				
NO	REVISION	APP'D	DATE	MAT'L	AS NOTED						

42



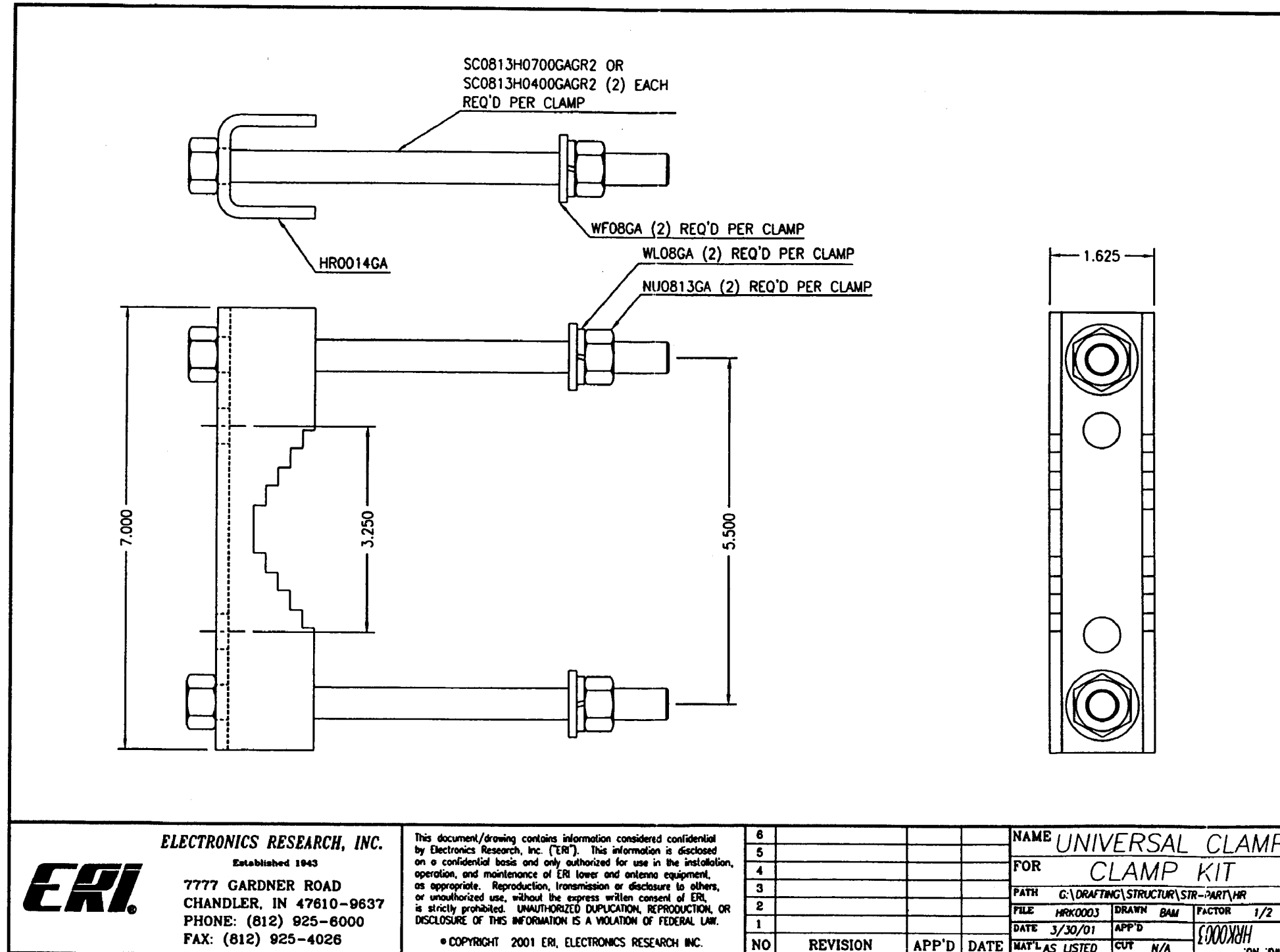
DESCRIPTION	PART NO.	QTY.
STANDOFF	TDM0001	2
PIPE MOUNT	TRP0018	1
CLAMP KIT	HRK0003	4
ROUND MEMBER CLAMP	HR0014GA	8
4" GALVANIZED BOLT	SC0813H0400GR2	16
7" GALVANIZED BOLT	SC0813H0700GR2	16
LOCK WASHER	WL08GA	16
FLAT WASHER	WF08GA	16
NUT	NU0813GA	16
*INCLUDED IN KITS		

ERI
ELECTRONICS RESEARCH, INC.
 Established 1943
 7777 GARDNER ROAD
 CHANDLER, IN 47610-9637
 PHONE: (812) 925-6000
 FAX: (812) 925-4026

This document/drawing contains information considered confidential by Electronics Research, Inc. ("ERI"). This information is disclosed on a confidential basis and only authorized for use in the installation, operation, and maintenance of ERI tower and antenna equipment, as appropriate. Reproduction, transmission or disclosure to others, or unauthorized use, without the express written consent of ERI, is strictly prohibited. UNAUTHORIZED DUPLICATION, REPRODUCTION, OR DISCLOSURE OF THIS INFORMATION IS A VIOLATION OF FEDERAL LAW.
 © COPYRIGHT 2000 ERI, ELECTRONICS RESEARCH INC.

6				NAME	DISH MOUNT ASSEMBLY		
5				FOR	4-1/2" PIPE MOUNT		
4				PATH	G:\DRAFTING\STRUCTUR\STR-PART\DMA		
3				NAME	DMA450F	DRAWN	S.L.M.
2	REDRAWN TO SCALE		08/01/02 SDA	DATE	8/24/00	APP'D	
1	CORRECTED MOUNT KIT NUMBER		01/28/02 GDA	MAT'L	AS NOTED		
NO	REVISION	APP'D	DATE				DWG NO. DMA450F

SBR 5/5/04



SBW 5/5/04